



NUCLEAR CAMERA

Hyperion™

Solid-State Camera for High Radiation Environments

The launch of the Hyperion follows many years of extensive Research & Development activity and considerable investment in new technologies. Featuring all new Radiation Tolerant Zoom lens and optics, with integrated pan and tilt, the Hyperion camera has been independently tested to 1MGy with Cobalt-60 sources.



FEATURES

- Digital performance, high radiation tolerance (equivalent to tubes)
- Low cost of ownership, driven by low maintenance and long life
- 100Mrad/1MGy total dose (gamma)
- High performance solid-state 1 megapixel sensor
- System-on-Chip flexibility
- Superior picture geometry
- In air or underwater operation
- Compatible with existing Mirion control racks and cables

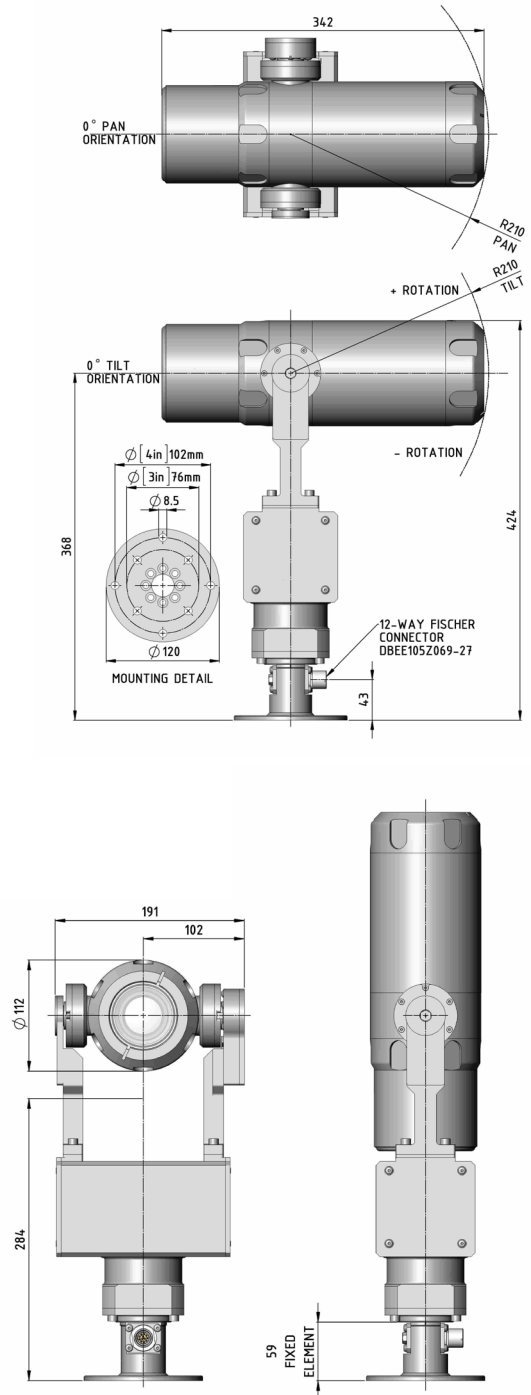
SPECIFICATIONS AND PERFORMANCE

| | |
|----------------------------|--|
| Radiation Tolerance | 1MGy (100MRad) TID, Cobalt-60 |
| Radiation Dose Rate | 100kRad/hr |
| Resolution | Digital Mode: 960x540 pixels CCIR Mode: 768x576 pixels RS170A Mode: 640x480 pixels |
| Video Output | PAL/NTSC analogue out 960x540/800x600/720x480 JPG out (via Ethernet) Monochrome |
| Housing | Stainless steel |
| Sealing | IP68 |
| Depth Rating | 60m |
| Pan and Tilt Range | Pan: +/-180°, Tilt +230°/-50° |
| Pan and Tilt Speed | 8°/second |

SPECIFICATIONS AND PERFORMANCE
(cont'd)

| | |
|-----------------------------------|--|
| Iris | Motorized manual/auto |
| Focus | Motorized manual |
| Focus Range | 1.5m to infinity |
| Operating Temperature | 0°C-62.5°C, 5%-95% Rh (non-condensing), 0.9-1.1 atmosphere (in-air) |
| Zoom | Non-browning clear glass 17.5mm to 105mm Motorized manual |
| Zoom Range | 6x optical |
| Angle of View (horizontal) | NTSC Wide - 28.2 degrees horizontal, 21.2 degrees vertical NTSC Narrow - 4.6 degrees horizontal, 3.5 degrees vertical PAL Wide - 33.6 degrees horizontal, 25.5 degrees vertical PAL Narrow - 5.6 degrees horizontal, 4.2 degrees vertical Digital (960x540) Wide - 39.7 degrees horizontal, 22.2 degrees vertical Digital (960x540) Narrow - 6.9 degrees horizontal, 3.9 degrees vertical |
| Weight | 23.5kg |
| Cable | Compatible with existing radiation-tolerant cables used with R981 |
| Maximum Cable Length | 100m with R980CAB006, 300m with R980CAB013 |
| Camera Control Unit | Single camera control unit or multi-camera sub rack available for interfacing into RS-485 or IP based control system |

DIMENSIONS (MM)



OPS-761 – 02 / 2019

Copyright (c) 2019 Mirion Technologies, Inc. or its affiliates. All rights reserved. Mirion, the Mirion logo, and other trade names of Mirion products listed herein are registered trademarks or trademarks of Mirion Technologies, Inc. or its affiliates in the United States and other countries. Third party trademarks mentioned are the property of their respective owners.

Specifications may vary according to system configuration. We reserve the right to modify or amend the information herein without prior warning. Please contact your Mirion representative for further information.

Mirion Technologies (IST) Ltd and Mirion Technologies (Imaging), LLC are ISO 9001:2015 certified companies (certificates available on request or at www.mirion.com).

Please note that the products and accessories described in this data sheet may be subject to UK export control or US re-export control. Please check with your authorized representative when enquiring about this product.