

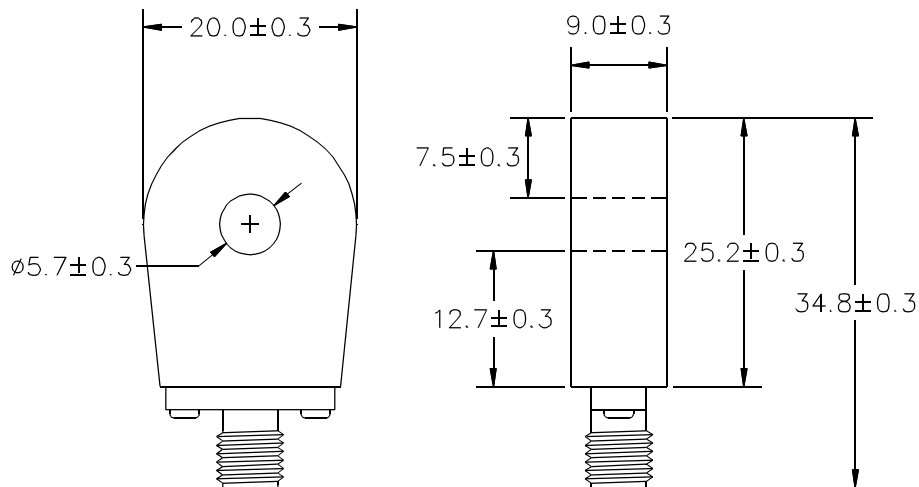
PEARSON™
CURRENT
MONITOR
MODEL
7713-03



| | |
|--------------------------|-----------------------|
| Sensitivity | 1 V/A \pm 1 % |
| Output resistance | 50 Ohm |
| Maximum peak current | 100 A |
| Maximum rms current | 2 A |
| Drop rate | 0.4 %/ μ s |
| Useable rise time | 1.5 ns |
| Current time product | 0.2 mA s maximum* |
| Low frequency 3dB point | 500 Hz (approximate) |
| High frequency 3dB point | 250 MHz (approximate) |
| I/f figure | 1 mA/Hz rms |
| Output connector | SMA |
| Operating temperature | 0 to 65 °C |
| Weight | 16 gm |

* Maximum current-time product can be obtained by using core-reset bias as described in the *Application Notes*. 0.12 mAmpere-second is typical without bias.

© 2010 Pearson Electronics, Inc. 7713-03.wpd 101201



Dimensions in mm